

Pressure Gauges / General Purpose Gauges / Pressure Gauges / Ø 40 mm

CONSTRUCTIVE PROPERTIES

	STANDARD	OPTIONAL
Mounting Type	Bottom Connection	See Technical Drawing
Scale Unit	bar/psi	atm kg/cm ² mWs psi
Scale Range (PN)	0/4 0/6 0/10 0/16 0/25 0/40 0/60 0/100 0/160 0/250 0/2,5	
Case	Plastic (ABS)	Steel (Black Enamelled)
Window	Polycarbonate	Acrylic
Movement	Brass	-
Wetted Parts	Copper Alloy	-
Connection	G 1/8" B	1/8" NPT
Dial	Aluminum	-
Pointer	Plastic	Aluminum
Welding	Soldering	Hard Soldering

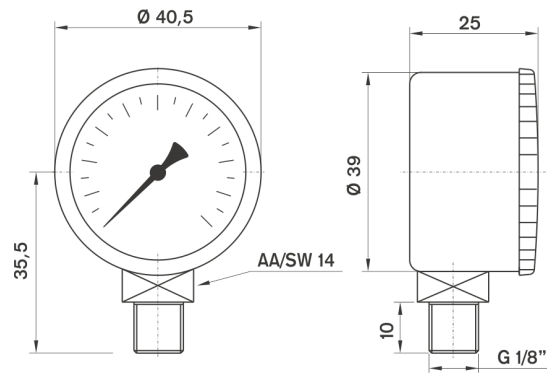


MG040DRM1
Bottom Connection

USAGE PROPERTIES

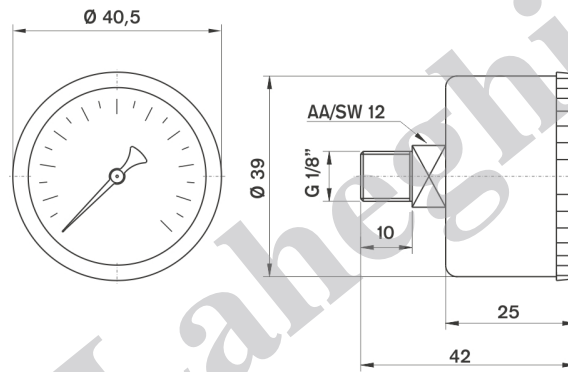
Fluid Temperature	Maximum + 60 °C	Maximum + 120 °C
Ambient Temperature	- 40...+ 60°C	
Operating Pressure (max.)	Must not exceed %75' of full scale.	
Over Pressure Limit	≤40 bar PN x 1.25	-
Accuracy Class	CL 2.5	-
Protection Rate	IP 41	-
Optimum Operating Range	Between 0,1 x PN and 0,75 x PN	
Storage Temperature	-40 ... +70 °C	-
Conformity	EN 837 - 1	-
Mechanical Shock Test Load	15g	-
Mechanical Vibration Test	10 Hz ile 150 Hz -1 oktav/dk. 2s / 3 eksende	

Pressure Gauges / General Purpose Gauges / Pressure Gauges / Ø 40 mm



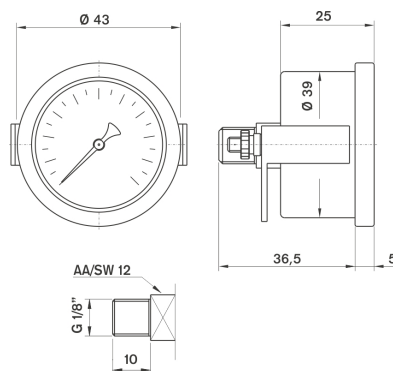
Model No: MG040DRM1

Bottom Connection



Model No: MG040DRP2

Back Connection



Model No: MG040DRM3

Back Connection Panel Mounted